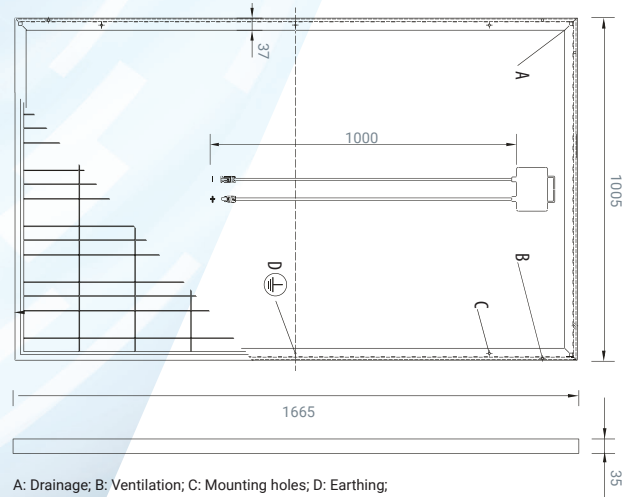


PVT STANDARD\_B\_M60

# STANDARD MONOCRYSTALLINE 60 cell module

**PVT**  
AUSTRIA



A: Drainage; B: Ventilation; C: Mounting holes; D: Earthing;

## Working conditions

MAX. SYSTEM VOLTAGE	1000 V
OPERATING TEMPERATURE	-40°C / +85°C
MAX. REVERSE CURRENT	15 A
MAX. WIND/SNOW LOAD	1600 Pa / 3600 Pa**
IP PROTECTION LEVEL	67
SAFETY CLASS	II

## Electrical data (STC\*)

MAX. POWER* (PMPP)	325 WP
RATED VOLTAGE (VMPP)	33.29 V
RATED CURRENT (IMPP)	9.78 A
OPEN CIRCUIT VOLTAGE (VOC)	41.11 V
SHORT CIRCUIT CURRENT	10.05 A
EFFICIENCY $\eta$	19.42%

\*Under standard test conditions (STC) of irradiance of 1000 W/sq.m., spectrum AM 1.5 and cell temp. of 25°C

\*\*Safety factor - 1,5

## Temperatur ratings

VOLTAGE TEMP. COEFF. ( $\beta$ )	-0.34%/°C
CURRENT TEMP. COEFF. ( $\alpha$ )	+0.06%/°C
POWER TEMP. COEFF. ( $\delta$ )	-0.40%/°C
NOMINAL OPERATING MODULE TEMPERATURE	45±2 °C

## Mechanical data

CELL SIZE	158,75 x 158,75 mm
NUMBER OF CELLS	6 x 10
FRONT SIDE GLASS	3.15 mm hardened solar glass
WEIGHT	20 kg
DIMENSIONS (L x W x H mm)	1665 x 1005 x 35
J-BOX	IP67, ventilated
CABEL LENGTH	1 m
CABEL CROSS SECTION SIZE	4 mm <sup>2</sup>
NUMBER OF DIODES	3
PLUG-IN CONNECTION	MC4
FRAME	Anodised Al frame (black)

The module is manufactured by SoliTek cells, UAB.

## Certific



## Product warranty

**20** YEARS GUARANTEE

## Efficiency guarantee

80% MAX. OUTPUT

**25** YEARS GUARANTEE