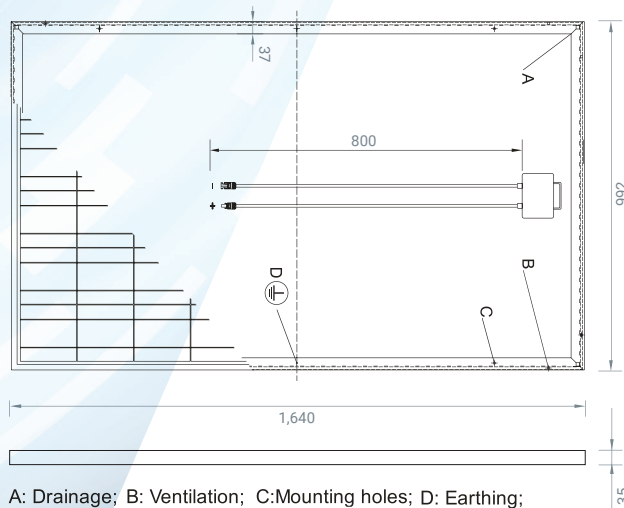


PVT BLACK M.60-B-300/290

STANDARD MONOCRYSTALLINE 60 cell module

PVT
AUSTRIA



A: Drainage; B: Ventilation; C: Mounting holes; D: Earthing;

Working conditions

MAX. SYSTEM VOLTAGE	1,000 V
OPERATING TEMPERATURE	-40°C / +85°C
MAX. REVERSE CURRENT	15 A
MAX. WIND/SNOW LOAD	2,400 Pa / 5,400 Pa
IP PROTECTION LEVEL	67
SAFETY CLASS	II

Electrical data (STC*)

MAX. POWER* (PMPP)	300 WP	290 WP
RATED VOLTAGE (VMPP)	32.13 V	31.90 V
RATED CURRENT (IMPP)	9.34 A	9.09 A
OPEN CIRCUIT VOLTAGE (VOC)	40.46 V	39.37 V
SHORT CIRCUIT CURRENT	9.89 A	9.69 A
POWER TOLARANCE	0/+5%	0/+5%
MODULE EFFICIENCY	18.44°C	17.83°C

Flash testing measurement accuracy of +/-5%

*Under standard test conditions (STC) of irradiance of 1000 W/sq.m., spectrum AM 1.5 and cell temp. of 25°C

Temperatur ratings

VOLTAGE TEMP. COEFF. (β)	-0.35%/K
CURRENT TEMP. COEFF. (α)	+0.042%/K
POWER TEMP. COEFF. (δ)	-0.39%/K

Mechanical data

CELL SIZE	156.75 x 156.75 mm
NUMBER OF CELLS	6 x 10
FRONT SIDE GLASS	3.2 mm hardened solar glass
WEIGHT	19 kg
DIMENSIONS (L x W x H mm)	1,640 x 992 x 35
J-BOX	Plastic. IP67. ventilated
CABEL LENGTH	0.8-1.1 m
CABEL CROSS SECTION SIZE	4 mm ²
NUMBER OF DIODES	3
PLU-IN CONNECTION	MC4 or equivalent
FRAME	Anodised Al frame (black)

Certific



Product warranty



Efficiency guarantee

