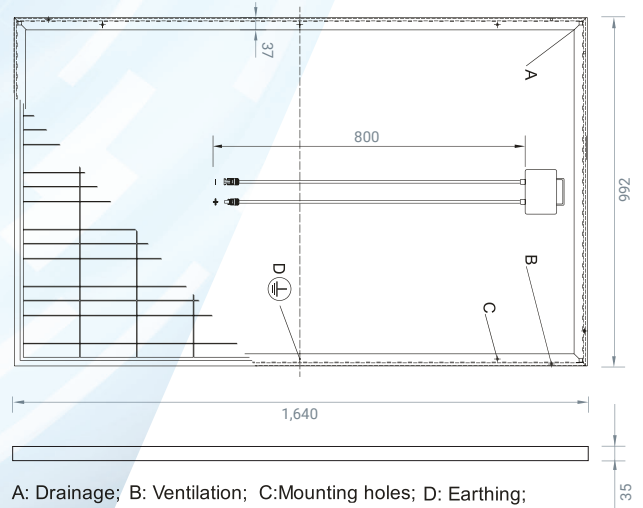


PVT STANDARD P.60.6-S-270

STANDARD POLYCRYSTALLINE

60 cell module

PVT
AUSTRIA



Working conditions

MAX. SYSTEM VOLTAGE	1,000 V
OPERATING TEMPERATURE	-40°C / +85°C
MAX. REVERSE CURRENT	15 A
MAX. WIND/SNOW LOAD	2,400 Pa / 5,400 Pa
IP PROTECTION LEVEL	65
SAFETY CLASS	II

Electrical data (STC*)

MAX. POWER* (PMPP)	270 WP
RATED VOLTAGE (VMPP)	31.28 V
RATED CURRENT (IMPP)	8.63 A
OPEN CIRCUIT VOLTAGE (VOC)	38.80 V
SHORT CIRCUIT CURRENT	9.17 A
POWER TOLARANCE	0/+3%
MODULE EFFICIENCY	48.3°C

*Under standard test conditions (STC) of irradiance of 1000 W/sq.m., spectrum AM 1.5 and cell temp. of 25°C

Temperatur ratings

VOLTAGE TEMP. COEFF. (β)	-0.37%/K
CURRENT TEMP. COEFF. (α)	+0.06%/K
POWER TEMP. COEFF. (δ)	-0.47%/K

Mechanical data

CELL SIZE	156 x 156 mm
NUMBER OF CELLS	6 x 10
FRONT SIDE GLASS	3.2 mm hardened solar glass
WEIGHT	19 kg
DIMENSIONS (L x W x H mm)	1,640 x 992 x 40
J-BOX	Plastic. IP65. ventilated
CABEL LENGTH	0.8–1.1 m
CABEL CROSS SECTION SIZE	4 mm ²
NUMBER OF DIODES	3
PLU-IN CONNECTION	MC4 or equivalent
FRAME	Anodised Al frame (silver)

Certific



Product warranty

20 YEARS GUARANTEE

Efficiency guarantee

90% MAX. OUTPUT

10 YEARS GUARANTEE

80% MAX. OUTPUT

25 YEARS GUARANTEE